

December 6, 2023**Addendum No. 01****File Reference Number: RFP 2023 050****Title: Supply of Various Rail Track Materials (OTM)****RE: Clarifications/Questions**

Please refer to the following information/clarifications:

Question 1 – Item 4: BOLT TRACK 115 LB 1” x 6” OVAL

The description for Item 4 calls for a 1” bolt; however, drawing TS-1320 shows the 1-1/8” track bolt. Will ONTC issue a new drawing for the 1” bolt or will ONTC update Item 4 to 1-1/8” bolt?

Answer: ONTC requires a 1” bolt. Please see drawing TS-1319 for 1” Diameter Track Bolt attached to this Addendum.

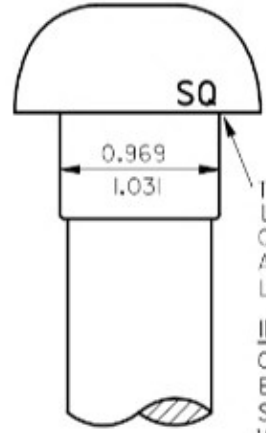
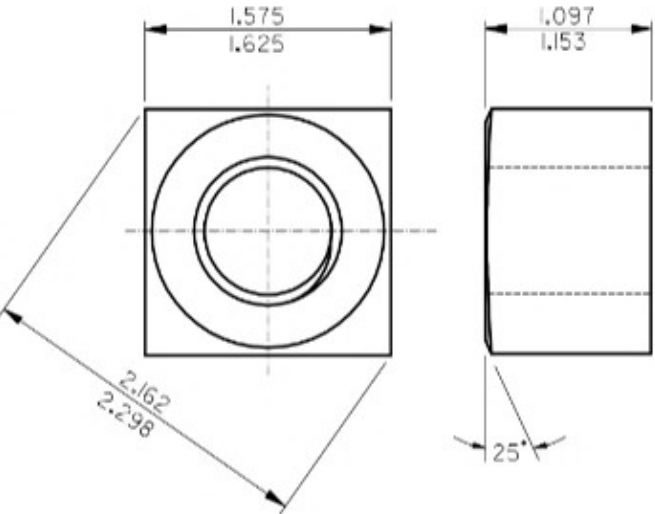
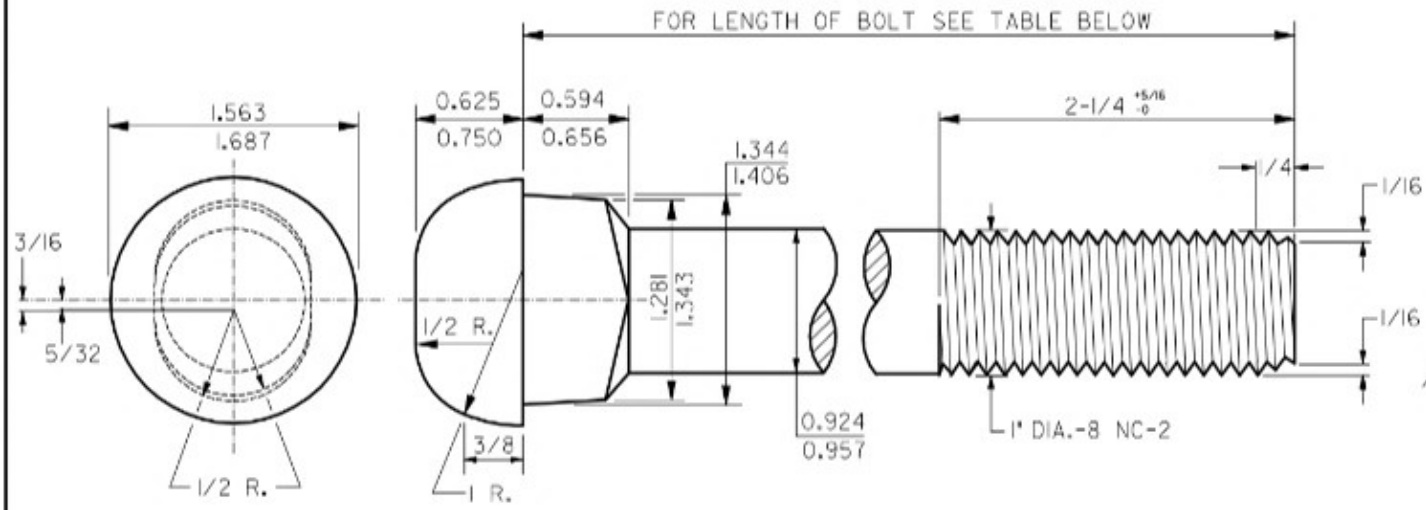
Question 2 – Item 4: BOLT TRACK 115 LB 1” x 6” OVAL

With Regards to the Bolt Bid, will ONTC accept 1” x 5 7/8” as well?

Answer: ONTC will accept 1” x 5 7/8” as well.

Regards,

Brinda Ranpura
Procurement Contracts Specialist
Brinda.ranpura@ontarionorthland.ca



THE MANUFACTURER'S IDENTIFICATION LETTER AND THE LETTER Q TO SIGNIFY OIL QUENCHED MUST APPEAR CLEARLY ON ALL BOLTS. LETTERS TO BE 1/4" HIGH AND RAISED 1/32".

IDENTIFICATION LETTERS
 C - DOMINION STEEL AND COAL CORP. LTD.
 E - PREMIER STEEL PRODUCTS LTD.
 S - STEEL COMPANY OF CANADA LTD.
 Y - PACIFIC BOLT MANUFACTURING CO. LTD.

NO. LEGEND
 TRACK STANDARDS-DRAWING NUMBER
 ITEM NUMBER-SPECIFIC BOLT
 REQUIRED
 TS-1319/2

STOCK NO. NEW	ITEM NO.	LENGTH OF BOLT ± 1/8	WEIGHT OF BOLT LBS.
01-01-255	1	5-5/8	2.10
01-01-677	2	5-7/8	2.15
01-01-263	3	6-3/8	2.25
01-01-265	4	6-7/8	2.35
01-01-209	5	10	2.95
01-01-210	6	10-1/2	3.05
01-01-211	7	11	3.15
01-01-212	8	11-1/2	3.25
01-01-215	9	12	3.35
01-01-346	10	12-1/2	3.44
01-01-682	11	13	3.54
01-01-684	12	14	3.74
01-01-218	13	14-1/2	3.83
01-01-686	14	15	3.93
01-01-797	15	7-1/2	2.45
	16		

NOTES:
 -ALL DIMENSIONS ARE IN INCHES.
 -ALL BOLTS AND NUTS SHALL BE MANUFACTURED IN ACCORDANCE WITH SPECIFICATION NO. 12-1 LATEST ISSUE.
 -THIS DRAWING SUPERSEDES DRAWING OF SAME NUMBER DATED 15 JULY 1970.

5	JULY '91	"DISPONIBLE EN FRANCAIS" ADDED.			
4	OCT. '89	NOTE REVISED.			
3	NOV. '86	ITEM #4 6-7/8" LG WAS T'.			
2	MAY '83	SPEC. NOS. & DATES REVISED.			
1	JUNE '78	ITEM 15 ADDED.			
No.	Date	Revision			
Standard / Norme		1" DIAMETER TRACK BOLT OVAL NECK			
Drawn	GWM	Checked / Verification	NAM	Approved / Approbation	<i>R. Hest</i> Chief Designer
Office of Chief Engineer					
Bureau de l'ingénieur en Chef					
Date	AUG. 74	Plan Number / Dessin numéro	TS - 1319		